

**TONE SOFTWARE CORPORATION**

**OMC**

*Output Management Center*



*Enterprise-wide*

*Output*

*Management*

*Solution*





# ***OMC™ Powerful Enterprise-wide Output Management Solution***



The challenge of delivering output and managing print across today's complex distributed environment is significant. As the diversity of platforms, data streams, and print devices grows, the necessity to implement a strategic output management solution which provides timely print delivery at the most cost-efficient and convenient output device on the appropriate platform increases dramatically. There is a powerful strategic solution...



## ***Output Management Center™ from TONE SOFTWARE***

OMC is an integrated, high performance product suite designed to transparently move data between host and client/server platforms, dynamically control enterprise-wide print and print devices, and effectively provide IS staff with a consolidated interface to manage enterprise print activity.

The OMC product suite addresses key issues in a growing enterprise print network:

- 
- A single solution to route and control print across the MVS VTAM, LAN/WAN, and TCP/IP print networks
  - An easy to use, interactive interface to dynamically define all target print devices and control output routing criteria for the entire enterprise
  - Dynamic reconfiguration capabilities to quickly change target print destinations at any given time, temporarily or permanently
  - Ability to transparently route any data stream across the enterprise, and perform selected data conversions if desired
  - On-line print viewing and control facilities enabling users to preview output before printing and determine if the print request should be executed, altered, or deleted
  - Support for legacy applications and legacy devices enabling IS to incorporate existing print resources into an enterprise-wide print management solution which serves all users
  - Full security for all routing, viewing, and printing by user, job and customized criteria
  - Full compliance to industry standard protocols and operating system services, allowing compatibility with report management systems and automated operations solutions
- 

# OMC gives you the power of choice...

The OMC integrated product suite includes:



**OMC-PRINT™**



**OMC-VIEW™**



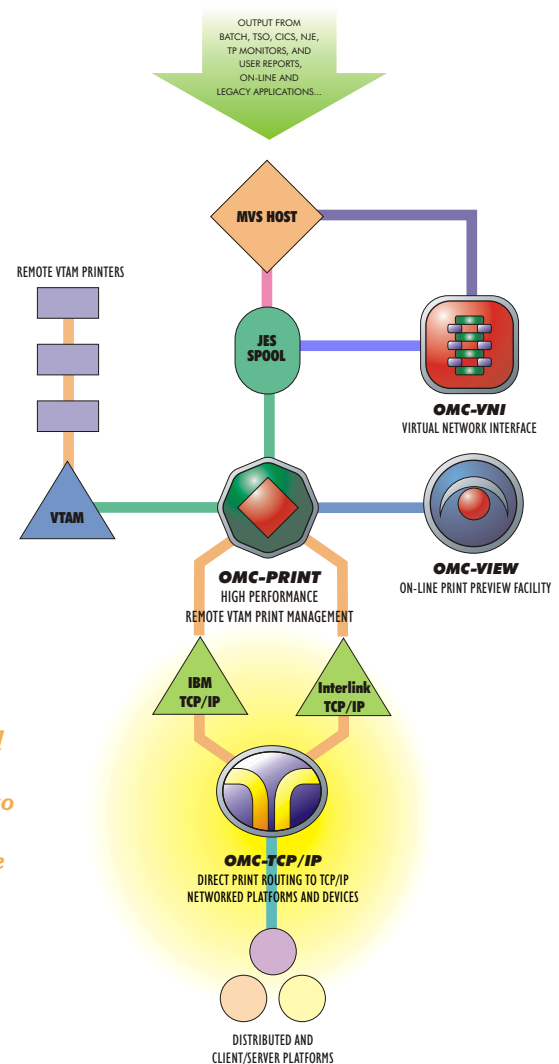
**OMC-TCP/IP™**



**OMC-VNI™**

Together, these powerful OMC components deliver all enterprise output to the most convenient, economical destination, regardless of location or platform.

Whether the destination is a VTAM print device, a PC, or an Internet print destination, OMC will quickly and efficiently deliver the data for viewing, printing, or further processing. Through OMC, users have the power of choice to route output anytime, anywhere, to print and non-print destinations, enabling IS departments to implement the most cost-effective output distribution and printing strategies that meet the needs of all users.



---

*The OMC product suite is comprised of both Host and Client/Server technologies which seamlessly interoperate to route, control, and print output produced anywhere in the enterprise, to the desired destination on any platform.*

---



# **OMC-PRINT™**

## ***Host VTAM Output and Print Management***

OMC-PRINT is the nucleus of OMC enterprise-wide output management, providing high performance host output routing from the JES spool directly to local and remote VTAM print devices throughout the VTAM print network. The powerful OMC-PRINT engine also delivers output to distributed destinations and print devices throughout the enterprise when combined with additional OMC components.

OMC-PRINT utilizes a unique routing design which routes output directly from the JES spool to target devices without staging and respooling, eliminating the performance degradation and resource consumption typically encountered when staging or respooling output prior to printing.

### ***OMC-PRINT Consolidated Print Management Interface***

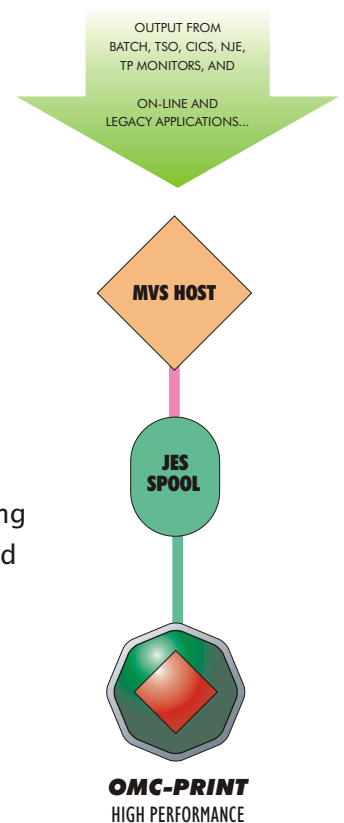
As the core of OMC enterprise-wide output management, OMC-PRINT provides the on-line, interactive Command Display Facility to define and control all OMC managed print devices and output processing across all platforms. Through easy to use panels and pop-up menus, the Command Display Facility continuously provides complete status of all print jobs and devices, serving as a consolidated cross-platform print management interface to both IS personnel and authorized end users.

### ***OMC-PRINT Dynamic Network Configuration and Management***

The *OMC-PRINT* Command Display Facility enables IS departments to quickly and easily implement and customize output and print routing criteria for both the Host and distributed environment without affecting Host job processing or JCL parameters. Once defined, IS personnel and authorized users can dynamically change out routing criteria or print destinations at any time, permanently or temporarily, to effectively manage an evolving cross-platform print network.

### ***OMC-PRINT Extensive Output Routing and Print Flexibility***

*OMC-PRINT* provides maximum flexibility in selecting, processing, and routing output with support for most VTAM, PC, LAN/WAN, or TCP/IP addressable destinations and print devices. With full support for third party graphic print packages, portrait/landscape laser printing, and IPDS data printing, OMC-PRINT delivers the most powerful, flexible Host output management solution available.





# OMC-VIEW™

## On-line Print Preview Facility

Many expanding IS departments are working to “right-size” hard copy print processing, seeking an on-line method to determine the output which should proceed to print, be further processed, or perhaps discarded. OMC-VIEW provides an on-line, interactive, interface to preview and control the output of OMC managed jobs awaiting print, enabling users to immediately determine if the output awaiting print is satisfactory or desired.

OMC-VIEW provides full interactive control of print disposition directly from the on-line viewing interface and includes forward and backward spacing, find commands, copy capabilities, and fully customizable viewing security for all output processed.

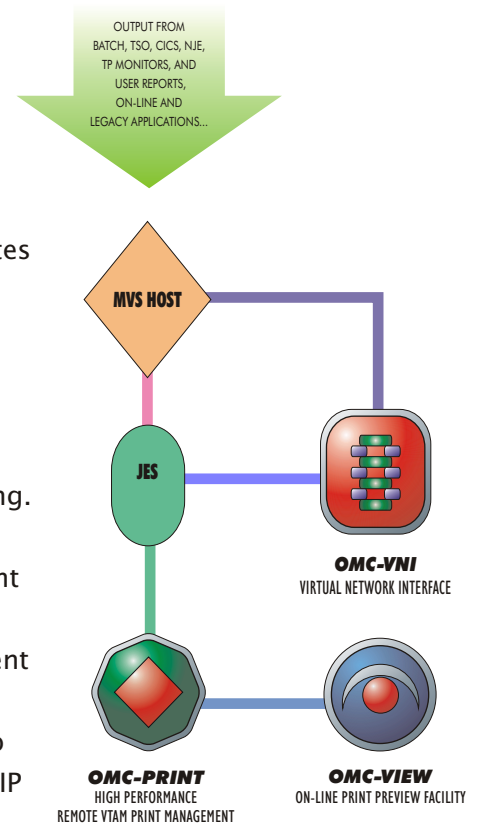


# OMC-VNI™

## Virtual Network Interface

OMC-VNI serves as a virtual network interface which integrates legacy application and TP monitor output into an overall enterprise-wide output management strategy. Routing and printing output from many legacy applications and TP monitors such as CICS and IMS is limited to a single hard-coded print device, restricting this critical output from efficiently print management or cross-platform output routing.

OMC-VNI acts as a virtual printer, emulating hard-coded print destinations found in transactions and applications and efficiency sending this output to the JES spool for management via OMC. No reprogramming or application changes are necessary, allowing all TP monitors and application output to be transparently printed at any VTAM, PC, LAN/WAN or TCP/IP addressable destination and print device defined to OMC.



*The powerful OMC components provide unparalleled performance and flexibility, extensive output and device control, and the most efficient, cost-effective enterprise output management solution available anywhere.*



# **OMC-TCP/IP™**

## **Host to TCP/IP Print Routing**

As more and more users reside on distributed systems utilizing client/server applications, the need to route output across platforms and support distributed print devices is growing tremendously. OMC-TCP/IP enables IS departments to bridge the gap between the Host and distributed systems, extending output routing and print management throughout the entire computing environment.

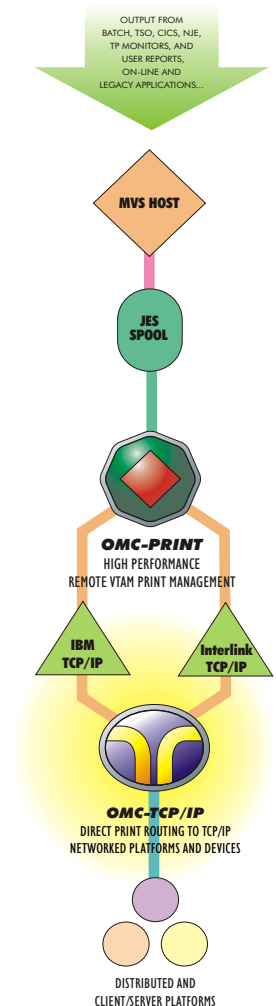
Utilizing standard connectivity schemes and protocols, OMC-TCP/IP can be quickly and easily deployed within the data center's existing network environment to immediately route output between the Host and PCs, LANs, WANs and TCP/IP addressable destinations and print devices anywhere in the enterprise.

### **OMC Flexible Cross-Platform Output and Print Management**

OMC-TCP/IP provides transparent output routing from the Host through either the IBM or INTERLINK TCP/IP network to any standard LPR/LPD on any platform. Utilizing Domain Name Services to perform dynamic Host name resolution, OMC-TCP/IP eliminates the need for local Host tables or dotted IP addresses when defining and maintaining a growing network of TCP/IP print destinations. In addition, OMC-TCP/IP enables Internet output routing to remote Internet-attached printers to further extend OMC enterprise-wide printing to destinations around the globe.

### **OMC-TCP/IP provides a comprehensive Host to TCP/IP print routing solution, including:**

- ◆ Output transmission directly between the JES spool and TCP/IP networks without staging or respooling to save system resources and enhance print routing performance.
- ◆ On-line interactive user preview and control of output via the OMC Command Display Facility.
- ◆ Printer definition and network configuration using established symbolic printer and computer names – not numeric dotted IP codes.
- ◆ Data compression of imbedded blanks to enhance routing performance.





# ***OMC Streamlined Installation and Implementation***

## ***OMC Unique Integrated Installation Facility***

While the diversity and quality of systems and platforms in the data center continues to increase, often the size of the IS staff does not increase accordingly. Current IS staff must seek methods to accomplish more with the same or fewer resources.

The OMC Enterprise Output Management Solution offers a unique integrated installation facility which enables the IS staff to install all OMC components through a single streamlined installation procedure. Using the OMC integrated install, IS staff can deploy complete enterprise-wide output management in a fraction of the time typically required by other technologies.



The OMC integrated install includes customizable component selection, allowing every installation to choose the exact combination of output management components which best meets their needs today, with the option to easily activate additional components which expand output and print management as the need arises.

OMC installation is quick and easy, requiring NO SVCs, NO system hooks, NO JES modifications or dependencies, and is completely compatible with all IBM supported releases of MVS, MVS/XA, MVS/ESA, and OS/390 operating systems using JES2 or JES3.



## ***Comprehensive Output Management Security***

As the enterprise print network grows, the necessity for comprehensive security also grows. OMC provides comprehensive security to control access, viewing, and printing at every level of enterprise output and print management operations, both by function and by user.



---

*Whether the print network has a few or several thousand printers, the integrated OMC product suite provides a strategic solution to manage all output routing and printing needs across both the Host and distributed environment.*

---



**1735 S. BROOKHURST ST.  
ANAHEIM, CA 92804  
(714) 991-9460  
(800) 833-8663  
FAX (714) 991-1831  
info@tonesoft.com  
www.tonesoft.com**

Tone International Distribution Centers:

Australia  
Austria  
Belgium  
Denmark  
Finland  
France  
Germany  
Greece  
Holland  
Hong Kong  
Ireland  
Italy  
Korea  
Mexico  
Norway  
Philippines  
Portugal  
Singapore  
Spain  
Sweden  
Switzerland  
United Kingdom

**TONE<sup>TM</sup> SOFTWARE CORPORATION**

### ***Commitment to Quality and Service***

TONE SOFTWARE CORPORATION is a high technology computer software firm providing innovative enterprise-wide business computing solutions to Fortune 1000 companies around the world. Based in Anaheim, California, TONE SOFTWARE is a privately held technology provider that answers to customers, not shareholders. With a firm foundation of proven ability spanning more than two decades, TONE has built a reputation for delivering premier software solutions and exceptional customer service and support 24 hours a day, 365 days a year.

With a corporate focus on quality and service, TONE continues to develop, market and support strategic information technology solutions which address the needs of today's business computing organizations in the areas of enterprise-wide output management, mainframe operations automation, and distributed systems management.

TONE's commitment to quality products and services will be apparent to your IS organization. Let us work with you to meet the challenges facing your data center. Contact TONE SOFTWARE for more information and a free evaluation of the OMC enterprise-wide Output Management Solution.